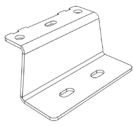


MODUL-SYSTEM RR880025000

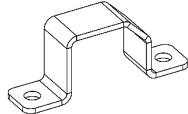
Roof bar kit LEVC LCV 20-, 2 bars



4 x 64968



2 x 73212



4 x R6283



8 x M8x16



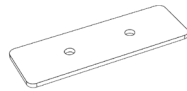
8 x M8x25



8 x M8



16 x



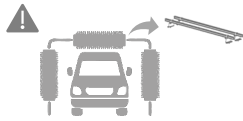
4 x R6677



R6600



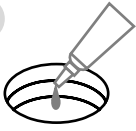
= 4.8 kg



100 kg



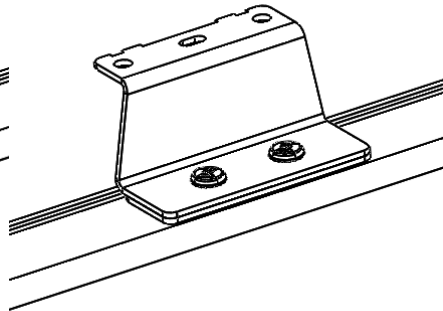
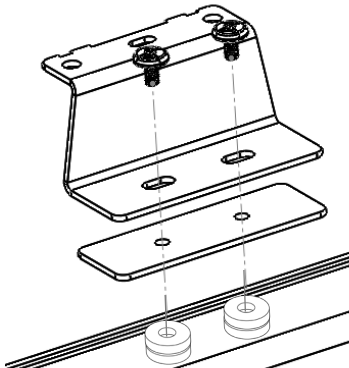
1



M8x25



35Nm



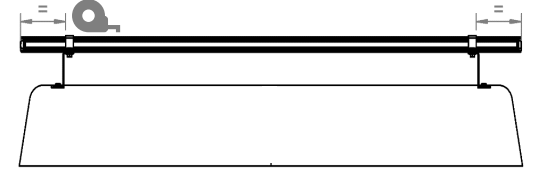
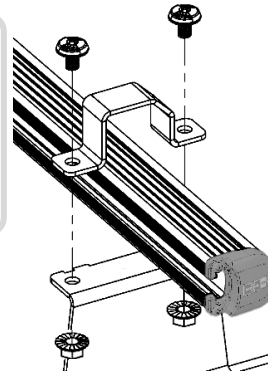
2



M8x16



M8



20Nm

